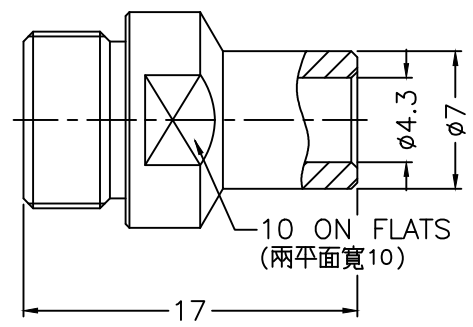
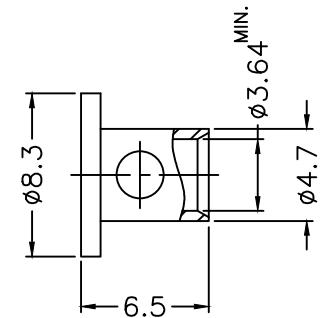
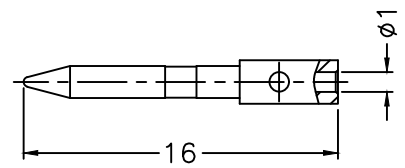
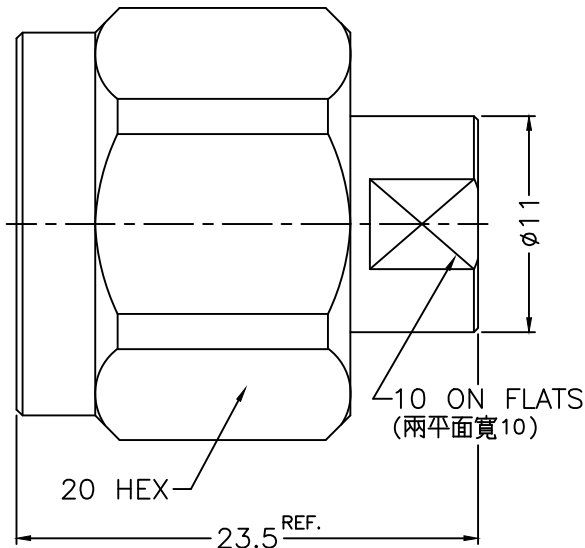
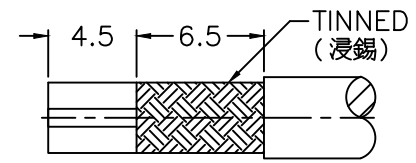
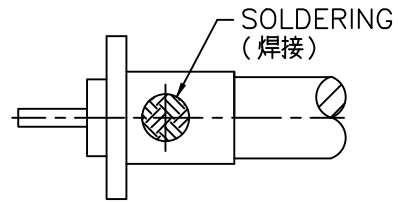


REVISIONS		
ISS	ZONE	DESCRIPTION\PER REQUEST\DATE



NOTES: FINISH (PLATING THICKNESS IN MICRO-INCHES)

1. BRASS
2. THIN GOLD OVER NICKEL PL. 50 MIN. THICK OVER COPPER PL. 50 MIN. THICK
3. GOLD PL. 3 MIN. THICK OVER NICKEL PL. 50 MIN. THICK OVER COPPER PL. 50 MIN. THICK
4. PTFE
5. STAINLESS STEEL
6. PASSIVATED
7. NICKEL PL. 100 MIN. THICK OVER COPPER PL. 50 MIN. THICK

RoHS COMPLIANT

9	NUT	NOTE 1	NOTE 7		
8	BRAID HOLDER	NOTE 1	NOTE 2		
7	SLEEVE	NOTE 4	NATURAL		
6	CONTACT PIN	NOTE 1	NOTE 3		
5	SHELL	NOTE 5	NOTE 6		
4	RETAINER RING	SUS 304	NOTE 6		
3	GASKET	SILICONE	RED		
2	INSULATOR	NOTE 4	NATURAL		
1	BODY	NOTE 5	NOTE 6		
NO.	DESCRIPTION	MATERIAL	FINISH	Q'TY	DRAWING NO.

DIMENSIONS ARE IN MILLIMETERS  
UNLESS OTHERWISE SPECIFIED TOLERANCES

0.5-6	= ±0.2
6-30	= ±0.4
30-120	= ±0.6
120-315	= ±1
315-1000	= ±1.6
1000-2000	= ±2.4

PART NO.	
APPROVED	DATE 11-18-'21
CHECKED	DATE 11-18-'21
DRAWN ALAN	DATE 11-18-'21

<b>G.L.I.</b>	
TITLE N DIRECT SOLDER PLUG (FOR .141, RG-402/U CABLE)	
DRAWING NO. 5824-1181H18-29-50	
FILE NO. R:\D\DWG\5824\1181H18\29\50	